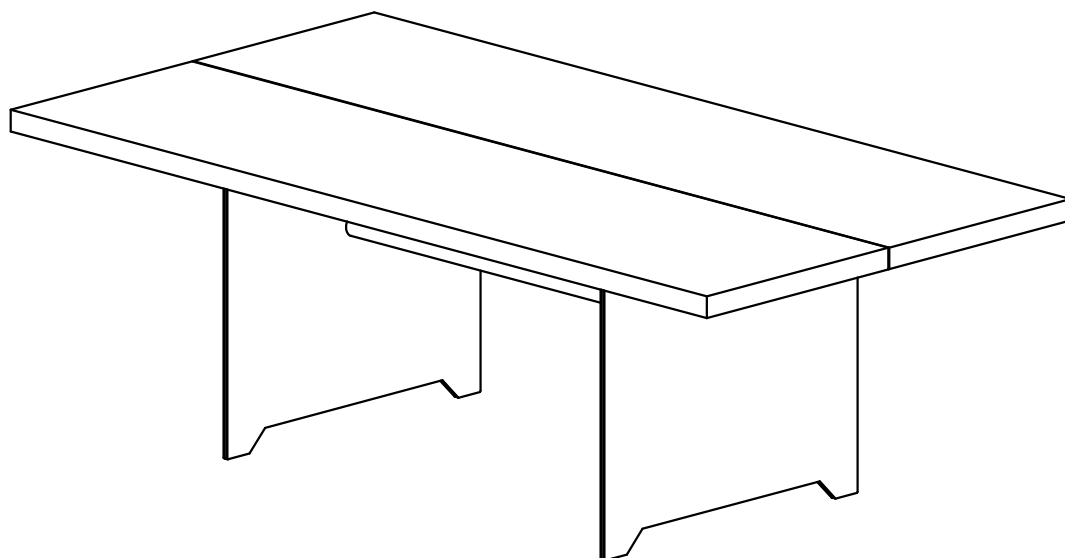
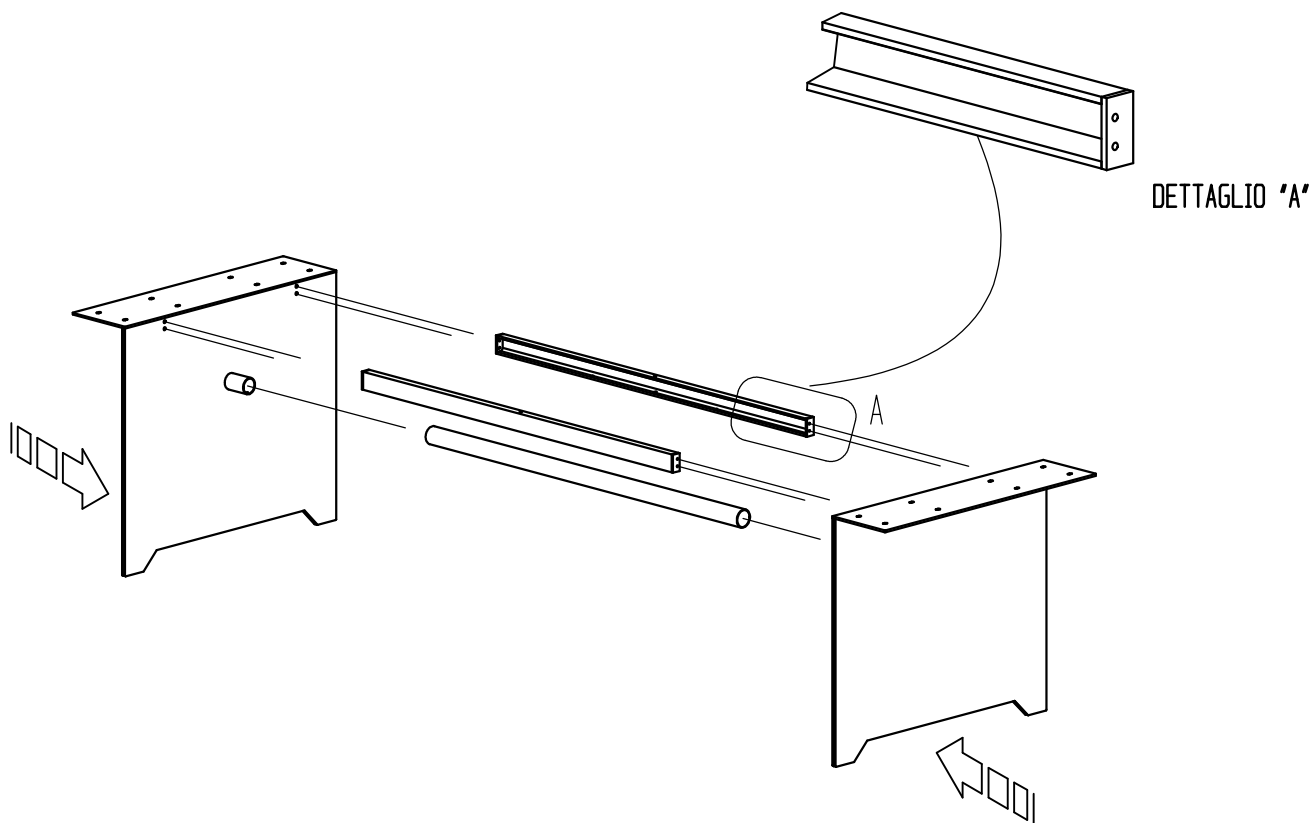
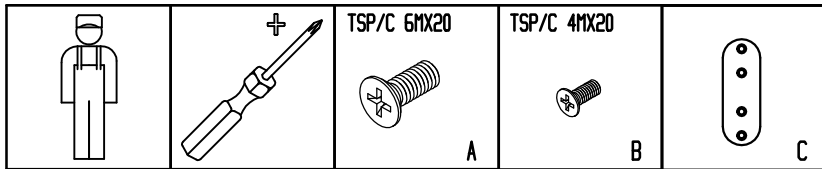


1

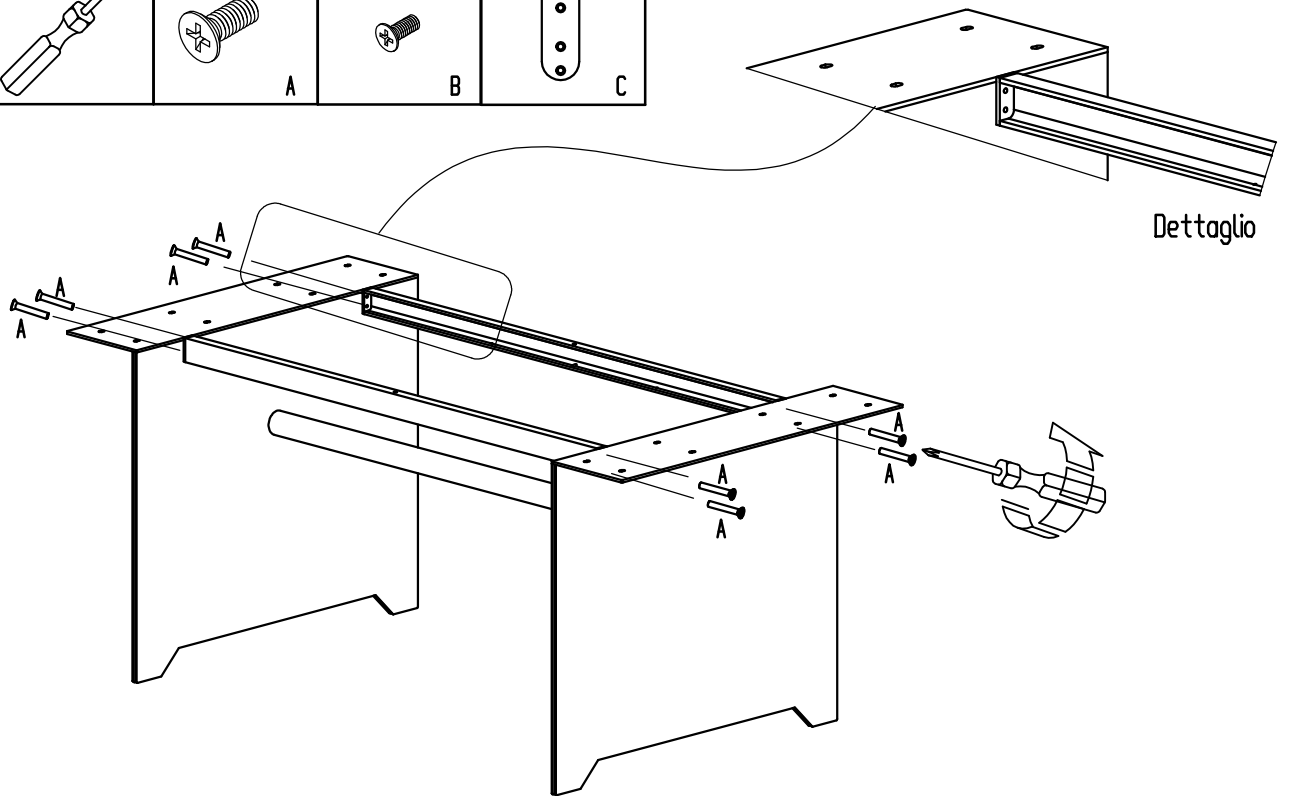


2

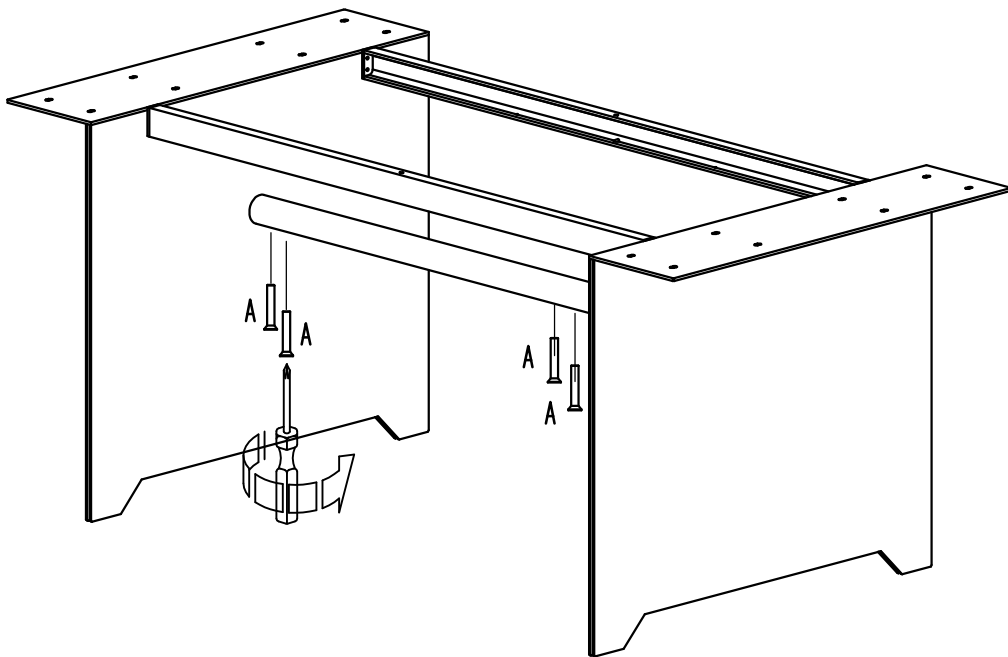


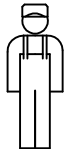
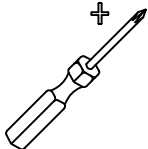



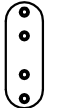


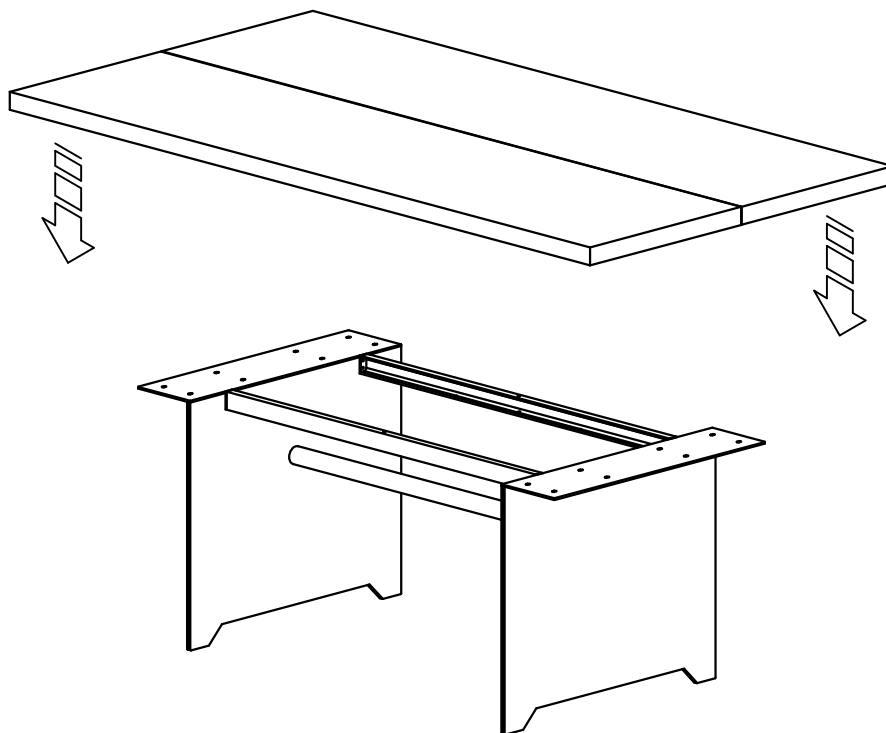
3



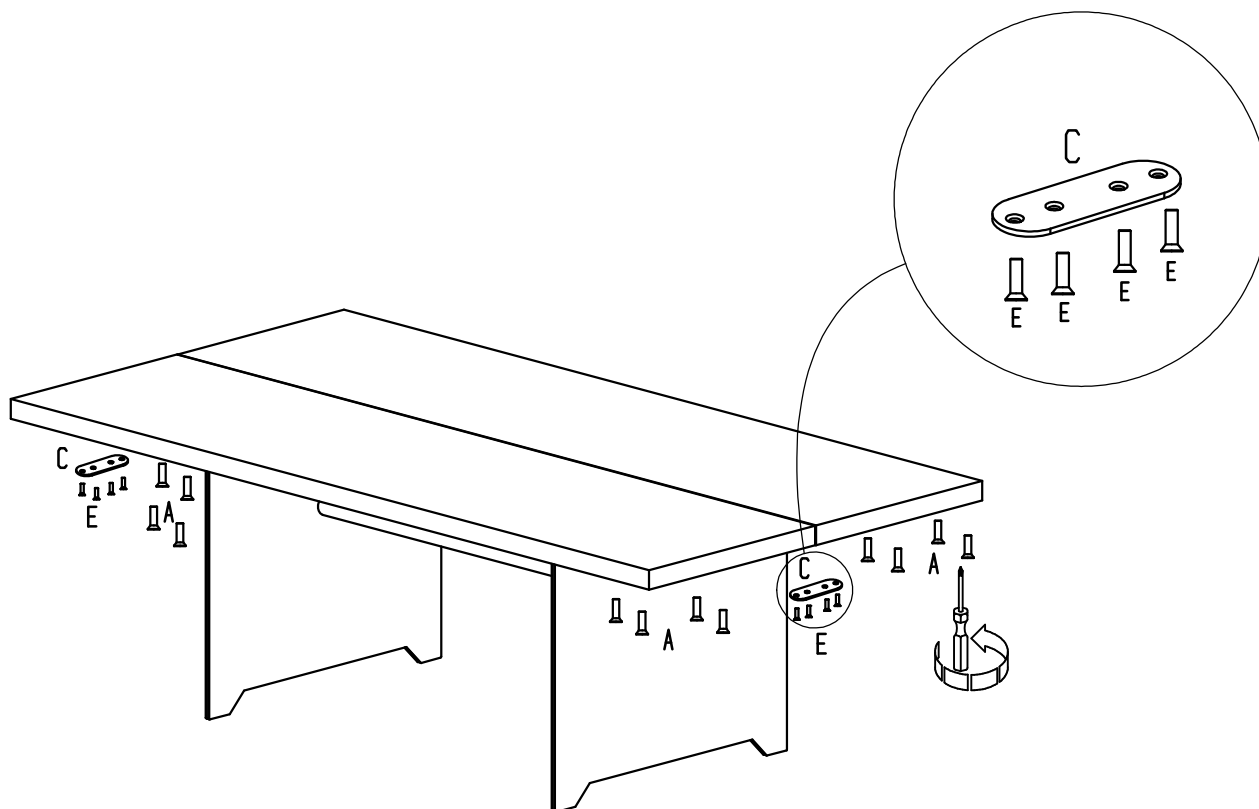
4

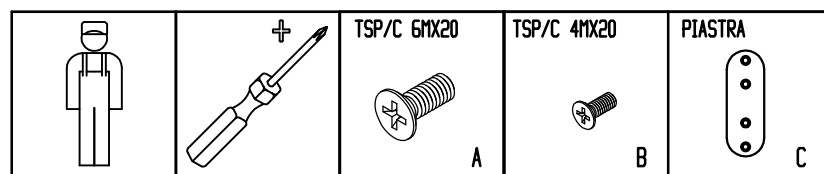


		<p>TSP/C 6MX20</p>  <p>A</p>	<p>TSP/C 4MX20</p>  <p>B</p>	<p>TSP/E 6MX12</p>  <p>E</p>	<p>PIASTRA</p>  <p>C</p>	<p>5</p>
---	---	---	---	---	--	----------



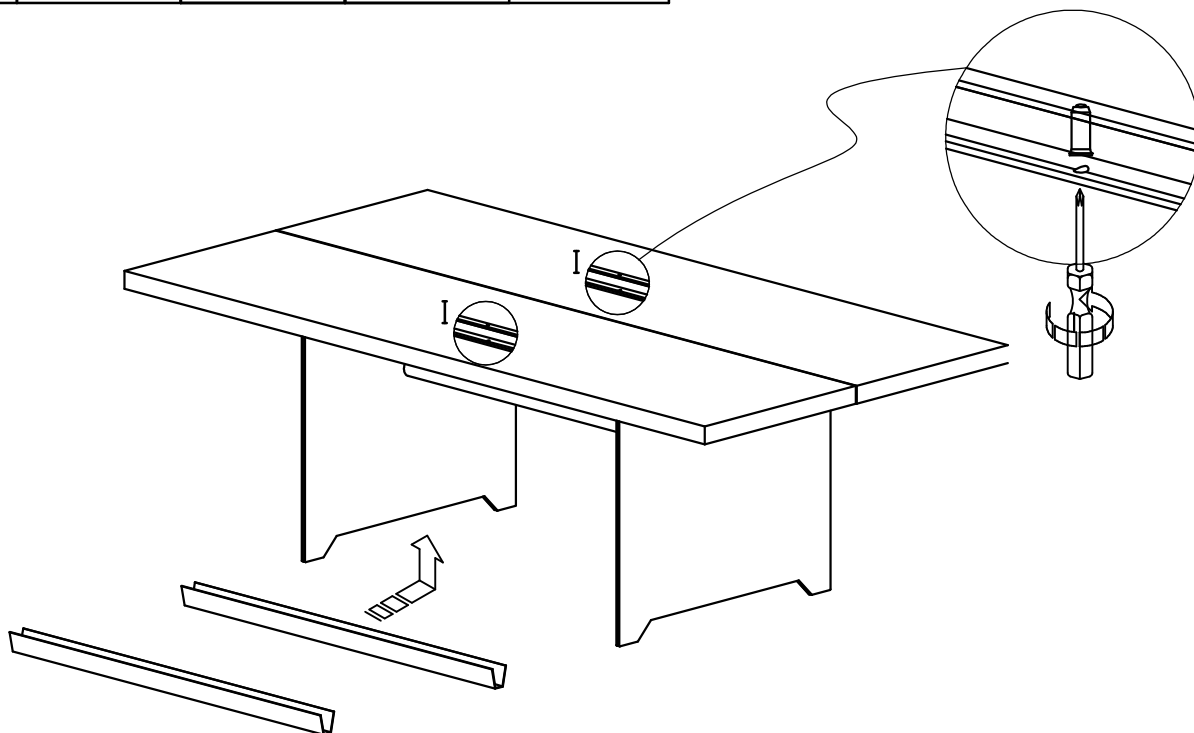
6





7

DETTAGLIO 'I'



8

