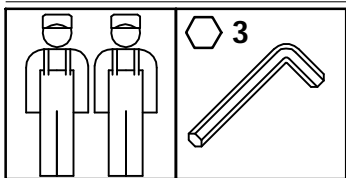
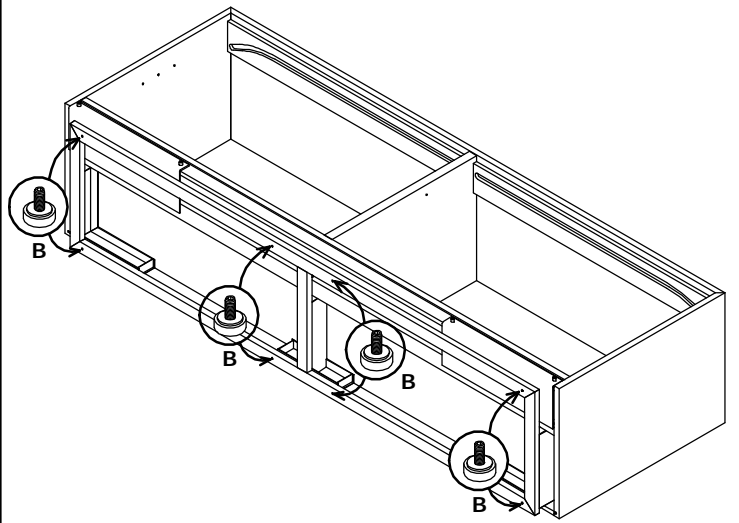
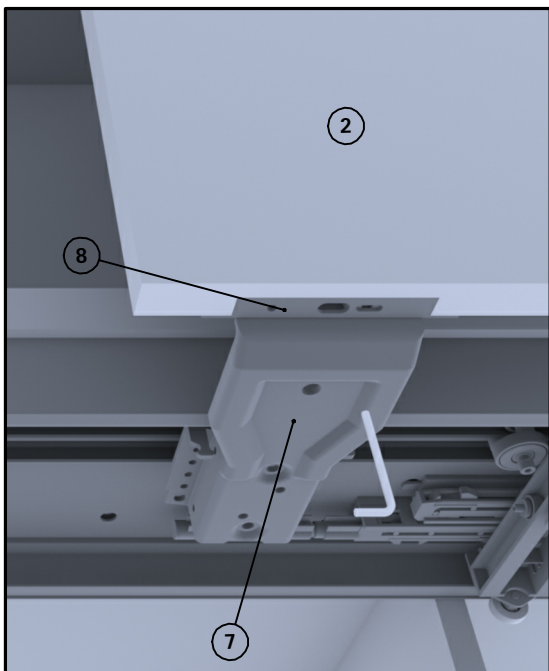


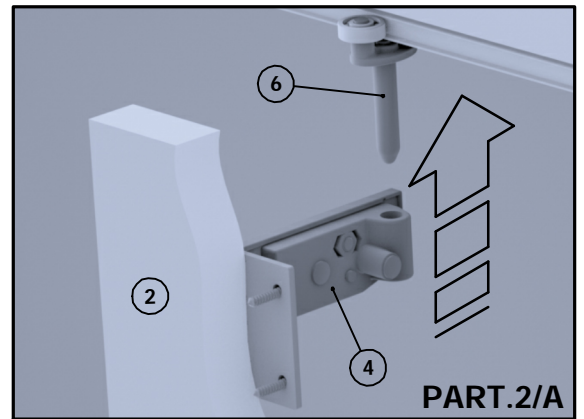
1



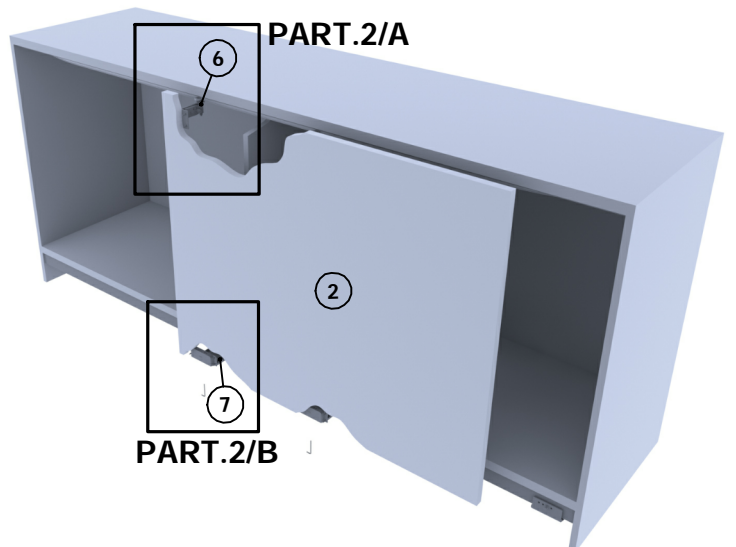
PART.2/B

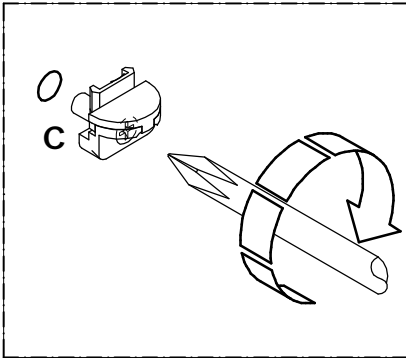
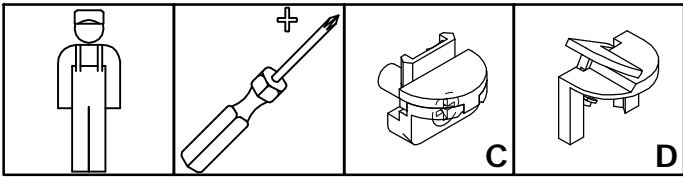


2

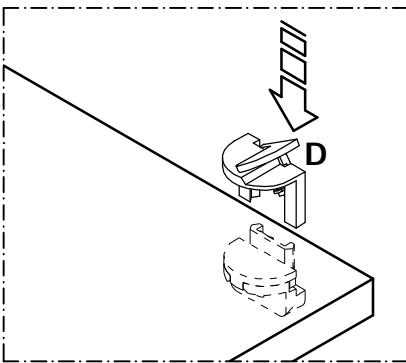


PART.2/A

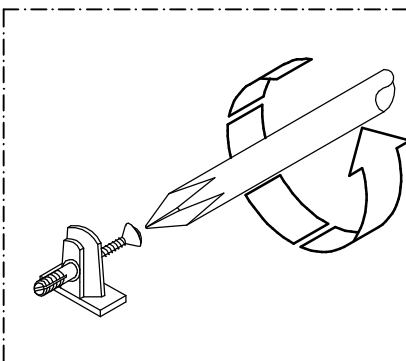
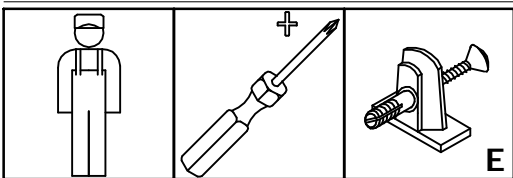




PART.3/A

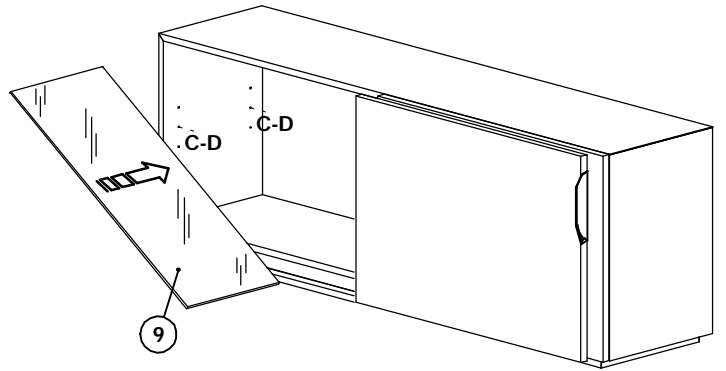


PART.3/B

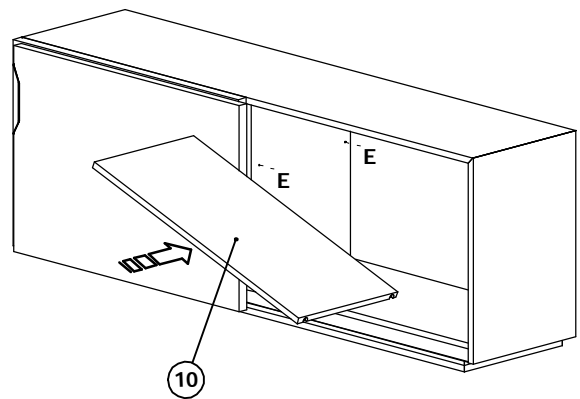


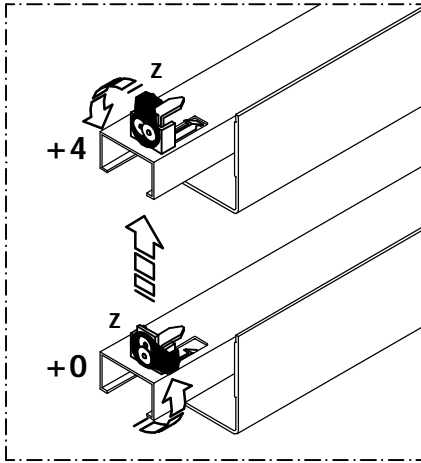
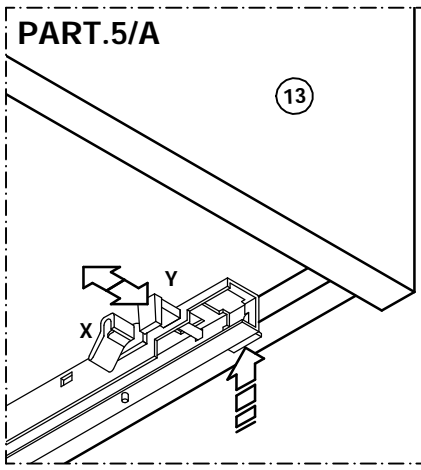
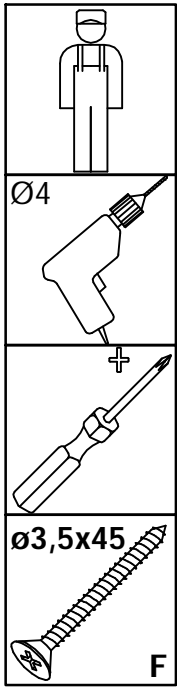
PART.4/A

3

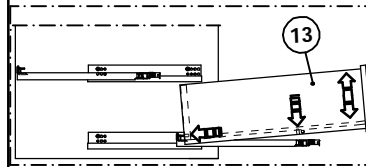
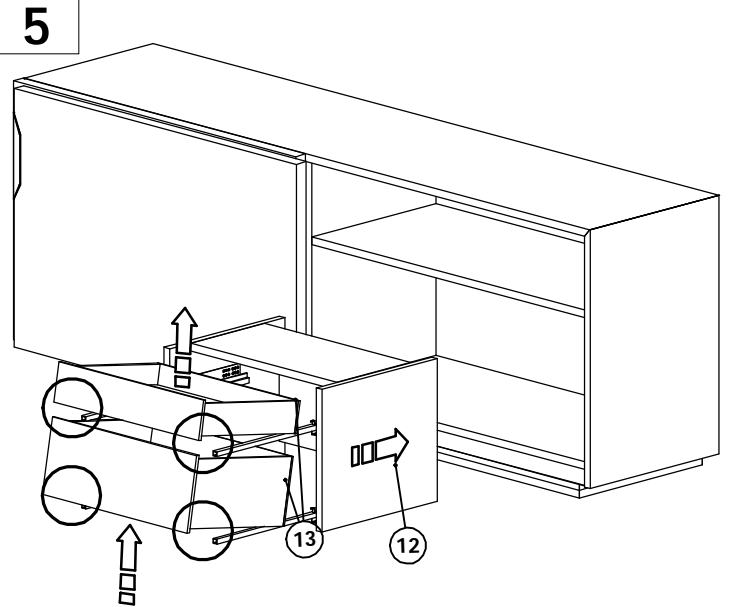


4

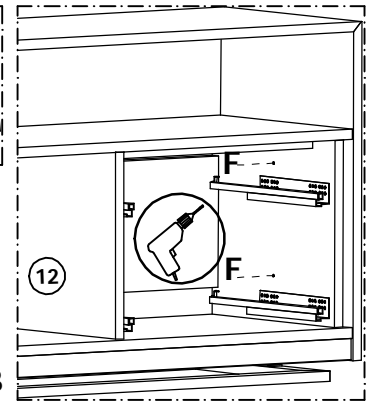




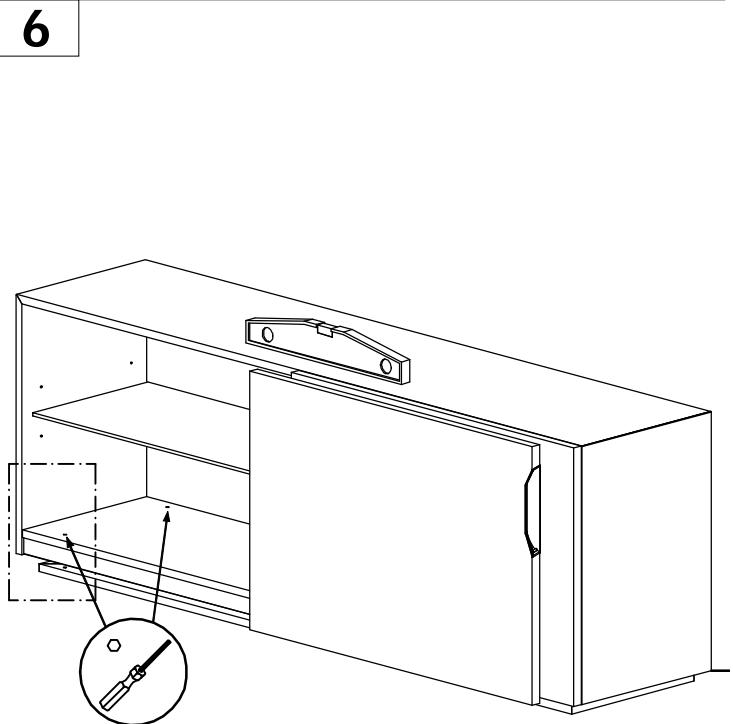
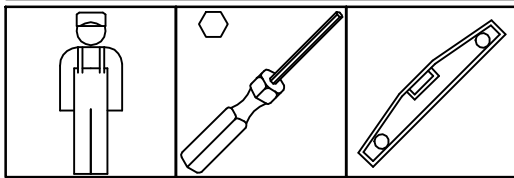
PART.5/C



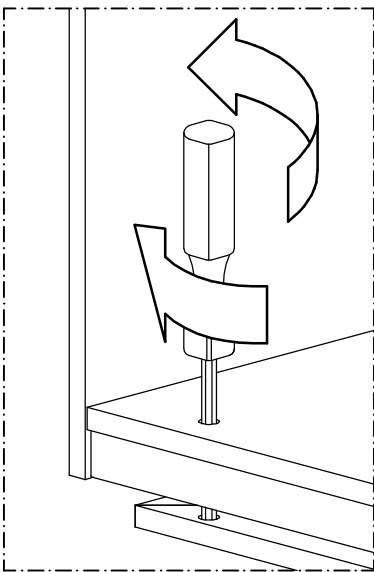
PART.5/A



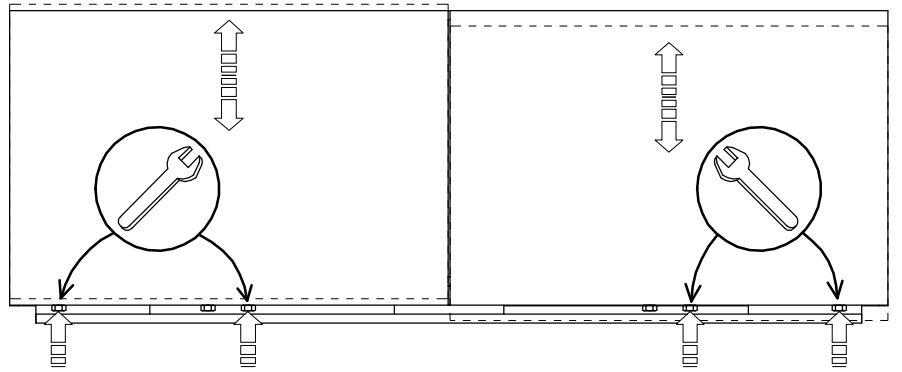
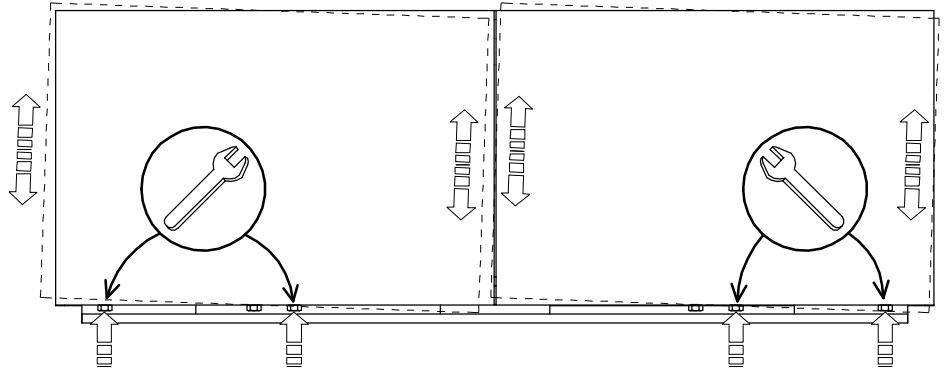
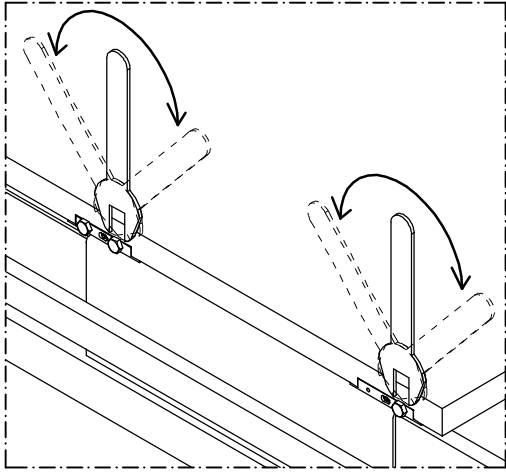
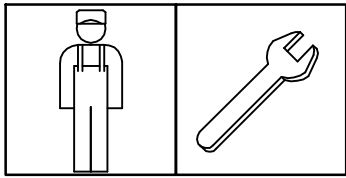
PART.5/B



PART.6/A



7



8

