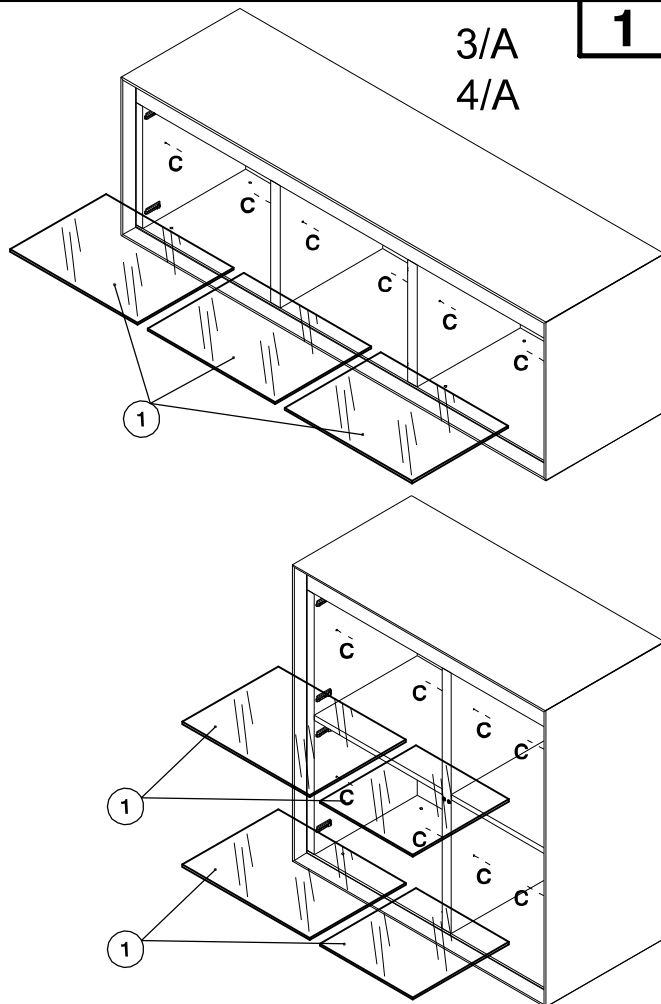
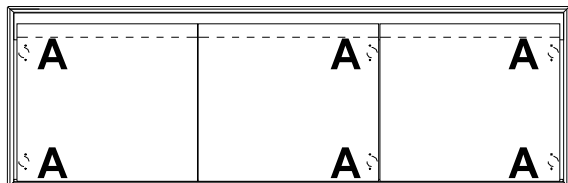


3/A
4/A

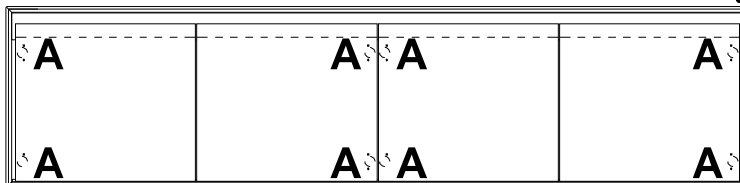
1



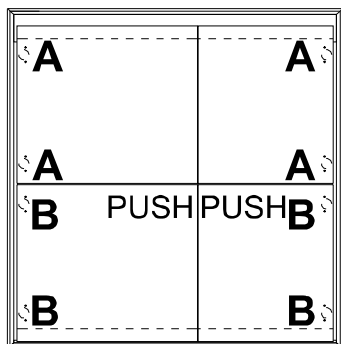
3/A - O



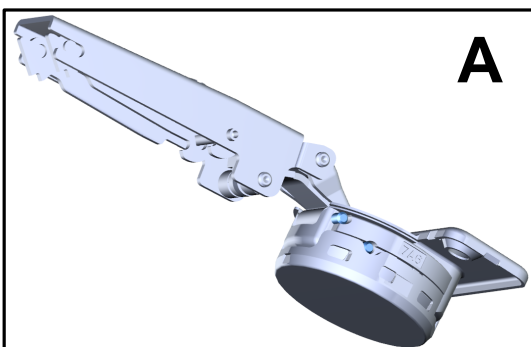
4/A - O



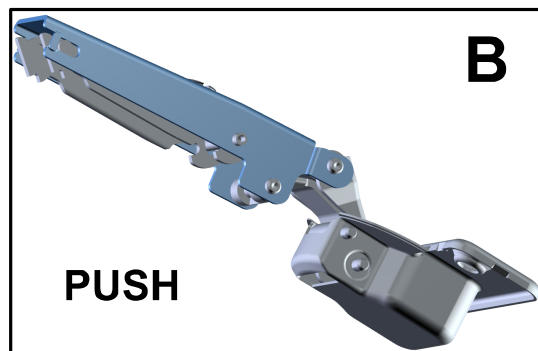
2



4/A - V

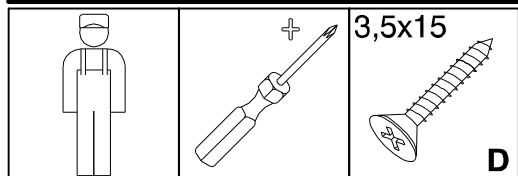


A



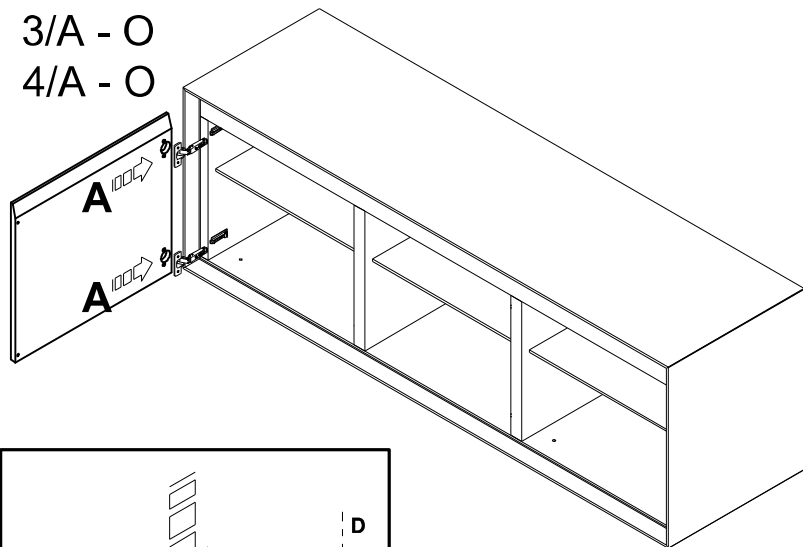
B

PUSH



3/A - O

4/A - O



4/A - V

